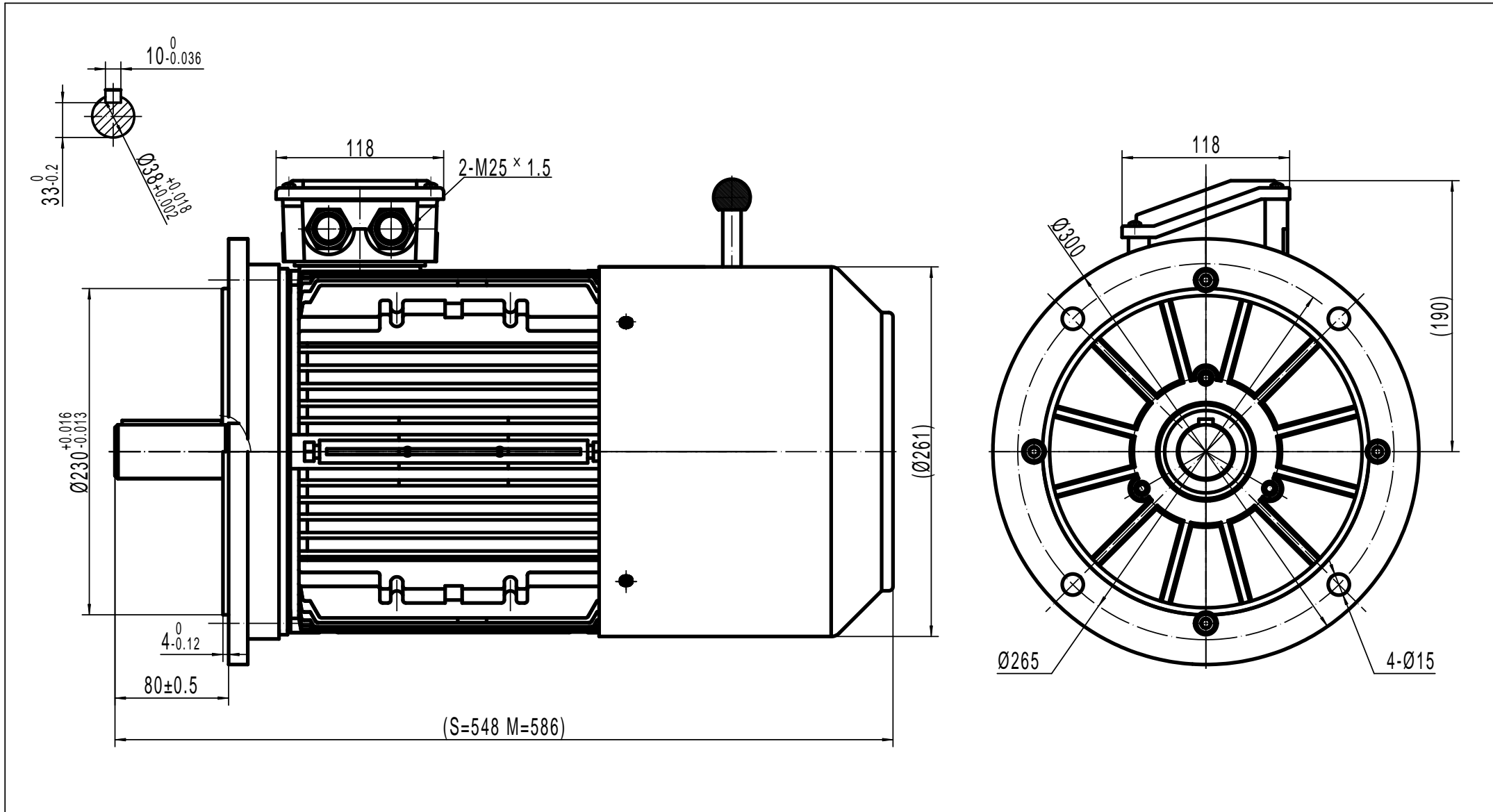


# OUTLINE DIMENSIONAL DRAWING



**TECHTOP**  
A U S T R A L I A

TECHTOP AUSTRALIA PTY LTD	
FRAME	TAIB 132A B5
DATE	DRAWING NO.
2013/10/22	1ST106.055.001-024 A